

SIRCO M UL508

Load break switches standards UL and CSA

16 to 80 A

UL508 non-metallic polycarbonate 4, 4X enclosed SIRCO M

References



Function

Enclosed **SIRCO M** switches allow safe control and disconnection of any motor application.

General characteristics

- Grey enclosure with red handle.
- Equipped with a 3 pole SIRCO M.
- 1 removable earth terminal.
- Possibility of adding 1 power pole and 1 auxiliary contact.
- Nema type 1, 3R, 12, 4, 4X.

Conformity to standards⁽¹⁾

- > IEC 60947-3
- > UL508, Guide NLRV, file E173959
- > CSA C22.2#14, Class 3211-05, file 702154



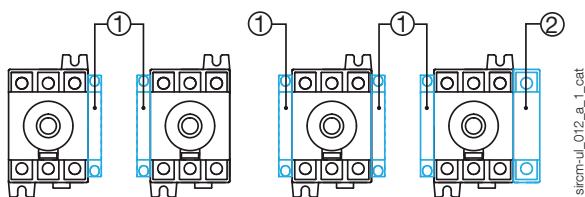
(1) Product reference on request.

Rating (A)	No. of poles	Enclosed switches	Enclosure size	Switched fourth pole module	Unswitched neutral pole	Unswitched protective earth module	Auxiliary contacts	Terminal shrouds
32 A	3 P	2214 3503	Size 1	1 P 2200 1003	1 P 2200 5005⁽¹⁾	1 P 2200 9005⁽¹⁾	M type 1 AC NO + NC 2299 0001	1 P 2294 1005⁽²⁾
	3 P	2224 3503	Size 2					3 P 2294 3005⁽²⁾
63 A	3 P	2224 3506	Size 2	1 P 2200 1006⁽¹⁾	1 P 2200 5009⁽¹⁾	1 P 2200 9009⁽¹⁾	1 AC 2 NC 2299 0011	1 P 2294 1009⁽²⁾ 3 P 2294 3009⁽²⁾

(1) Not UL.

(2) Top and bottom.

Configuration

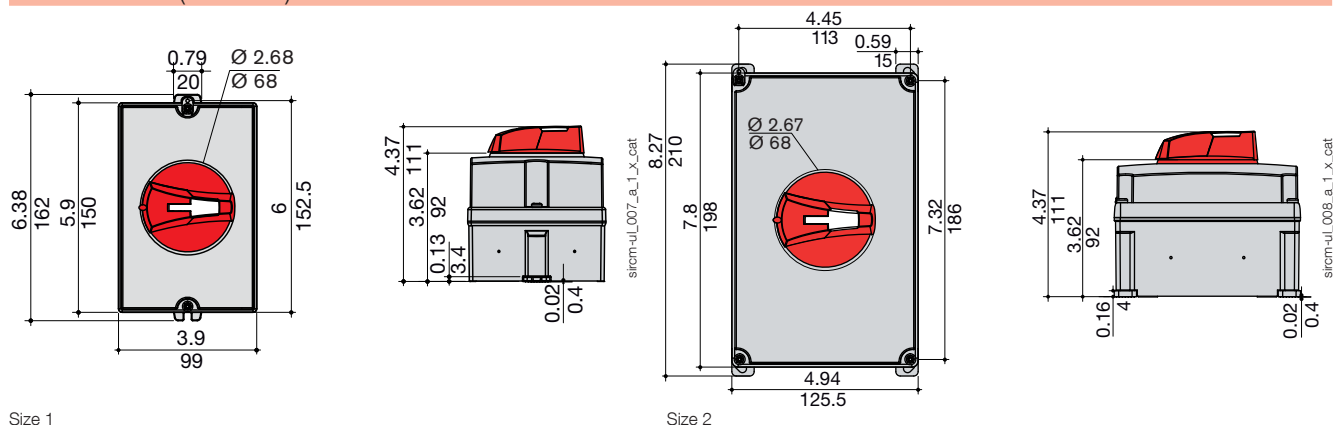


Configuration of the auxiliary contacts for enclosed SIRCO M.

1. M type auxiliary contacts.

2. Additional pole.

Dimensions (in / mm)



Size 1

Size 2